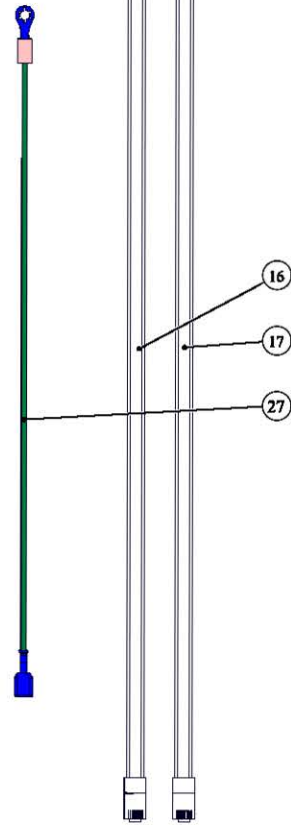
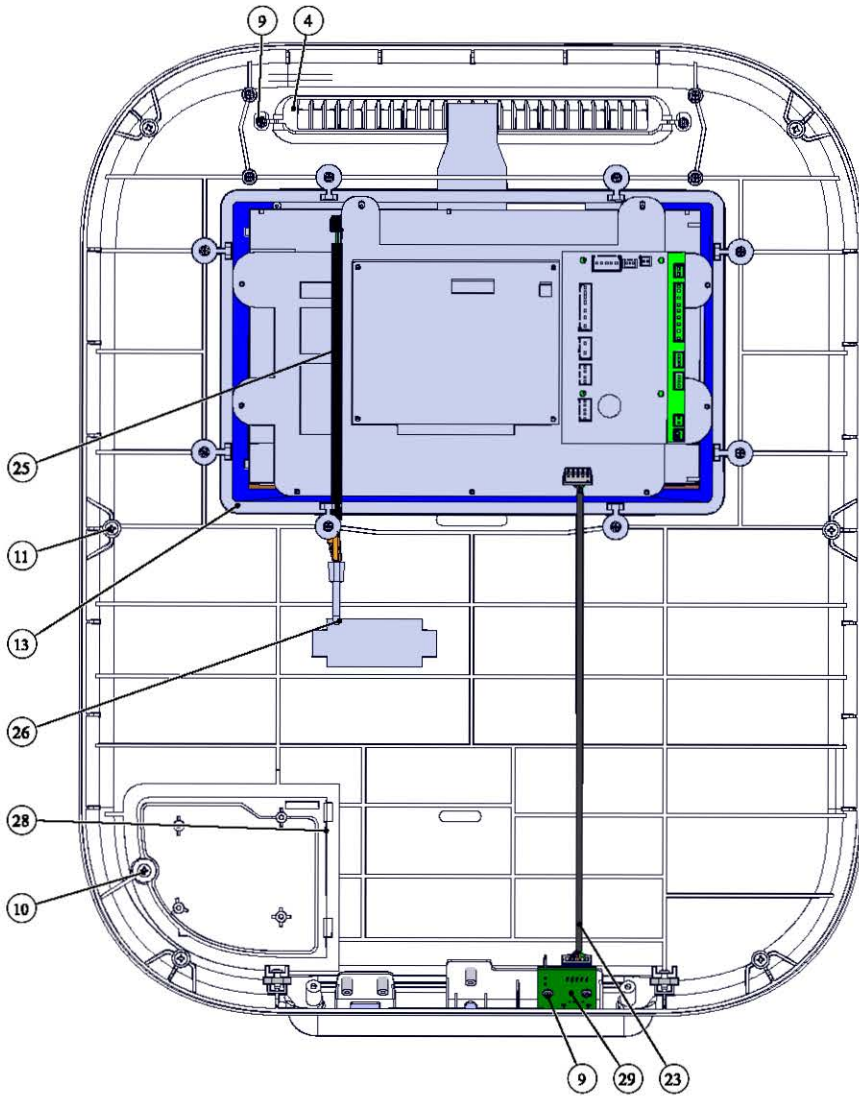
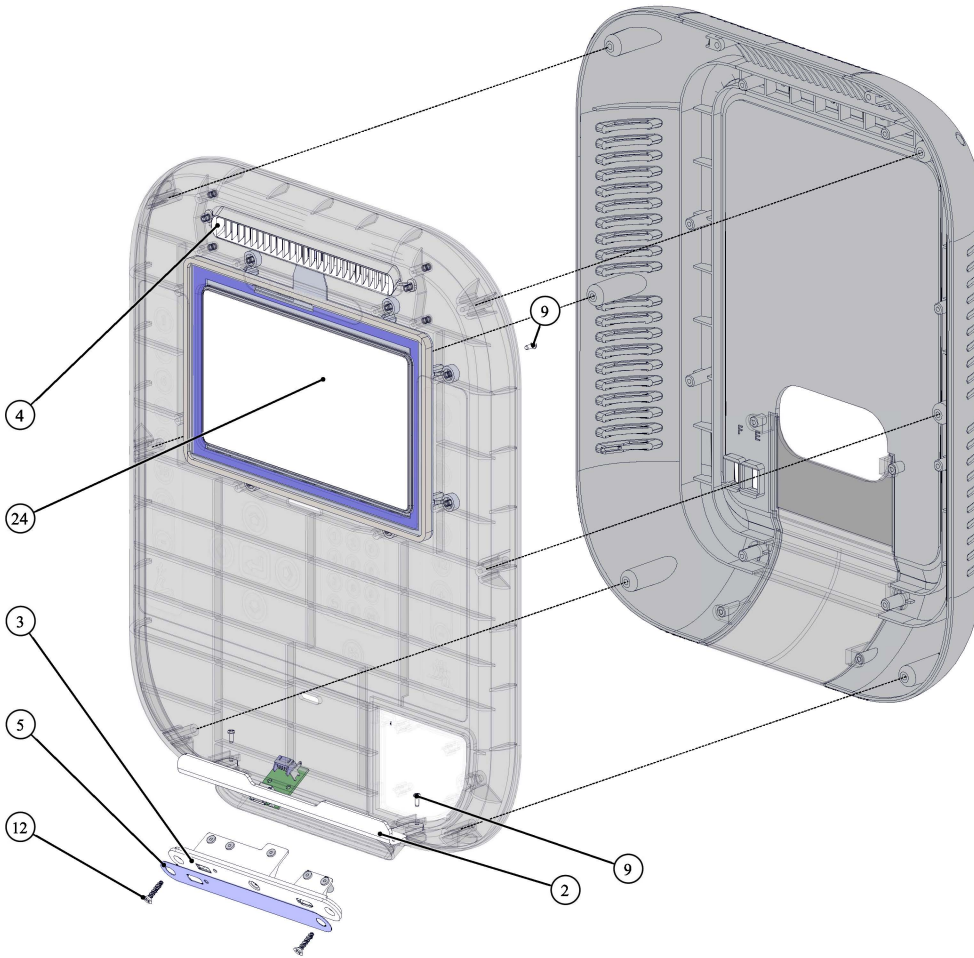


#	SKU	Qty	Description
4	020-7445-XX	1	PLASTIC, DISPLAY, FAN VENT
9	110-3163	18	SCREW,M3x0.5,8mm,PHT,PH,CS,ZP,TC,Grd-10.9
10	110-3165	1	SCREW, #8-18, 1/2", HI-LOW, PHT, PH, CS, ZP-B
11	110-3402	8	SCREW, #8-18, 3/4", HI-LOW, PHT, PH, CS, BO
13	140-3691	2	FOAM, 6.5MM, DISPLAY, 4-TR
16	701-0245	1	CABLE, CSAFE
17	701-0246	1	CABLE, POWER, MYE RECEIVER
23	701-0330	1	CABLE, USB CCB, 4-TR
25	701-0332	1	ASSY, CABLE, WIRELESS HR, 4-TR
26	701-0333	1	BOARD, HEART RATE, 4-TR
27	715-3457	1	ASSY CABLE, GROUND WIRE, MCB/CONSOLE
28	715-3911	1	BOARD, MYE TV, CONTROLLER
29	718-5587	1	ASSY, USB BOARD



#	SKU	Qty	Description
2	020-7440-XX	1	BRACKET, MAG RACK
3	020-7442-XX	1	PLASTIC, DISPLAY, USB-HDMI PANEL
4	020-7445-XX	1	PLASTIC, DISPLAY, FAN VENT
5	050-2372	1	STICKER, DISPLAY, USB PLACARD
9	110-3163	18	SCREW,M3x0.5,8mm,PHT,PH,CS,ZP,TC,Grd-10.9
12	110-3629	2	SCREW, #8-18, 3/4", HI-LOW, FHM, PH, CS, E-COAT
24	701-0331	1	ASSY, DISPLAY, SCREEN, 4-TR



#	SKU	Qty	Description
1	020-7435-XX	1	PLASTIC, DISPLAY, REAR, UPPER COVER, BCS
6	050-5588	1	LABEL, STAR TRAC, 127.2 X 18.8
7	050-5598	1	KEYPAD, TREADMILL, 4-TR
8	050-5599	1	KEYPAD, START/STOP, 4-TR
9	110-3163	18	SCREW, M3x0.5, 8mm, PHT, PH, CS, ZP/TC, Grd-10.9
10	110-3165	1	SCREW, #8-18, 1/2", HI-LOW, PHT, PH, CS, ZP-B
11	110-3402	8	SCREW, #8-18, 3/4", HI-LOW, PHT, PH, CS, BO
14	240-6846	2	CONNECTOR, 8 PIN, INLINE
15	701-0027	1	ASSY, FAN ASSEMBLY
18	701-0325-XX	1	PLASTIC, DISPLAY, 10in EMBED, W/ INSERTS, 4-TR
19	701-0326-XX	1	KIT, DISPLAY, REAR, PLASTIC & DECAL, 4-TR
20	701-0327-XX	1	KIT, DISPLAY, LOWER REAR, PLASTIC & DECAL, 4-TR
21	701-0328	1	ASSY, ENTERTAINMENT INSERT, BLANK, 4-TR
22	701-0329-XX	1	ASSY, USB PANEL, 4-TR
30	731-0584	4	SCREW, #8-18, 3/8", PHT, PH

